

WAY GLO

Leading the Way



PHILIPS
Day-Brite

PHILIPS
CFI

Form

WAY GLO LED Night Lights

Clean styling, great performance, and application versatility. The LED light source and sealed optical compartment provide years of practically maintenance-free operation. Let WayGlo night lights lead the way for your application.



WG1V



WG1H



WG2H



WG2V

Application Versatility

- HealthCare Facilities
- Hotels
- Theatres
- Residential Environments
- Kitchens and Bathrooms
- Corridors and Stairways
- Task Surfaces



FEATURES

Features

Appearance

- Two unique faceplate styles available in both vertical and horizontal junction box orientations.
- No visible fasteners.
- Available in three standard finishes (white, black or aluminum) or custom colors upon request.

Performance

- The optical assembly delivers even illumination at the target plane.
- WayGlo is available in three different LED colors – white, amber or blue.
- LEDs maintain a lumen output of 70% of initial lumens over 50,000 hours of life.

Installation

- Single-face applications can be installed into the provided back box or retrofitted into an existing single-gang junction box.
- A Thru-wall back box is available for dual-face applications. The Thru-wall back box is adjustable for wall assemblies of 3½” to 6” in depth.
- Rated for wet location environments.

Operation

- The electronic driver is available for 120 and 277 volt applications.
- Each faceplate consumes ≤ 3 watts.
- Optional integral photocell control available.

Maintenance

- The smooth faceplate and sealed optical compartment simplifies cleaning.
- All standard finishes have an antimicrobial additive to inhibit the growth of microbes.
- The die cast aluminum faceplate, acrylic lens and 18 gauge steel sub-plate ensures durability.

LED Colors



White



Amber



Blue

Paint Finishes



Soft White

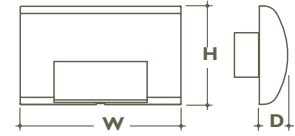
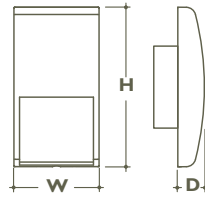
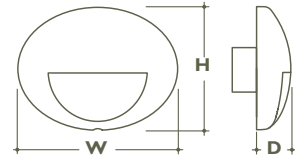
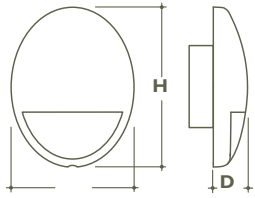


Black



Aluminum

Dimensional Data



WG1V

WG1H

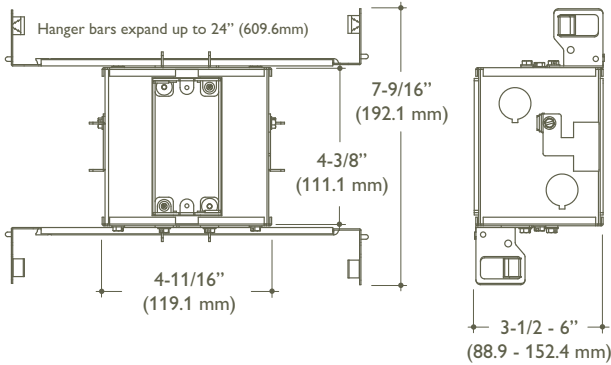
WG2V

WG2H

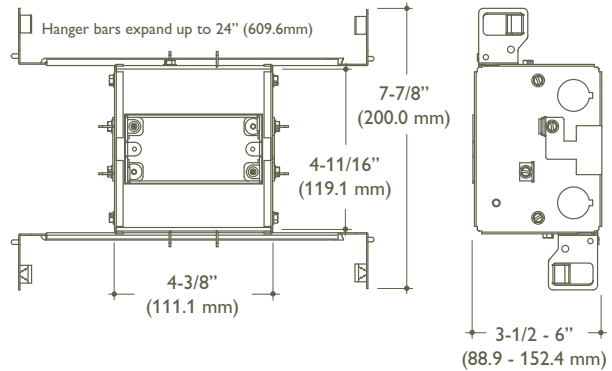
Model #	Height	Width	Depth
WG1V	5-11/16" (144.4 mm)	4-3/8" (111.1 mm)	1-1/4" (31.8 mm)
WG1H	4-3/8" (111.1 mm)	5-11/16" (144.4 mm)	1-3/16" (30.2 mm)

Model #	Height	Width	Depth
WG2V	5-11/16" (144.1 mm)	3" (76.2 mm)	15/16" (23.8 mm)
WG2H	3-15/16" (84.1 mm)	5-3/8" (136.5 mm)	15/16" (23.8 mm)

Vertical Orientation



Horizontal Orientation



Single-face Ordering Information

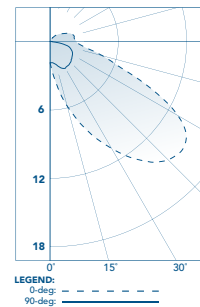
Sample Catalog No: **WG1V - 1 - 120 - AL**

Model Number	LED Color	Voltage	Finish ¹	Options
WG1V	1 White	120	SWH Soft White	PCC Photocell Control
WG2V	2 Amber	277	BL Black	
WG1H	3 Blue		AL Aluminum	
WG2H			CC² Custom Color	

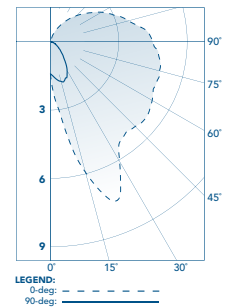
Single-gang box provided.

Photometric Data

Model: **WG1V-1**



Model: **WG2V-1**



Thru-wall Ordering Information

Sample Catalog No: **WGT / WG1V - 2 - 120 - SWH / WG2V - 1 - 120 - AL**

Back box Style ³	Faceplate 1	Faceplate 2	Model Number	LED Color	Voltage ⁴	Finish ¹	Options
WGT Thru-wall back box			WG1V	1 White	120	SWH Soft White	PCC Photocell Control
			WG2V	2 Amber	277	BL Black	
			WG1H	3 Blue		AL Aluminum	
			WG2H			CC² Custom Color	

- The finish designation is for the faceplate only. The reflector comes standard as SWH - Soft White.
- Customer to provide RAL number or color chip to match.
- The WGT is field convertible for either vertical or horizontal style faceplates. Both faceplates must be of the same orientation.
- Faceplates must have the same voltage.

Photocell Control Note:

The photocell is factory set to switch off at 10fc (± 2.5fc) of ambient light and switch on when the light level is below 5fc (± 2.5fc). The sensitivity of the photocell is not field adjustable and performance can vary depending on room finishes, mounting location and surrounding objects.



© 2013 Koninklijke Philips N.V. (Royal Philips). All rights reserved.
Specifications are subject to change without notice.
www.philips.com/luminaires

Philips Lighting Company
200 Franklin Square Drive
Somerset, NJ 08873
Phone: 855-486-2216

Philips Lighting Company
281 Hillmount Road
Markham ON, Canada L6C 2S3
Phone: 800-668-9008