



**NITEWAY™**

LED Night Light

# NITEWAY



NiteWay™ reduces the risks of navigating a dark space by providing low glare, even illumination at the floor plane. The optical design, aesthetically pleasing design and durable construction makes NiteWay suitable for a wide variety of applications including healthcare, commercial, hospitality and residential.

## OTHER APPLICATIONS

### CORRIDORS



### HOTEL GUEST ROOMS



### AUDITORIUM CIRCULATION



### TASK SURFACES





## DESIGN

- Simple faceplate form provides an architectural look that is simple to clean.
- Available in either a vertical or horizontal design to fit the application.
- Low profile integrates into any space.
- Three standard antimicrobial finish colors with custom available upon request.
- No visible fasteners.

## PERFORMANCE

- The optical solution reduces glare and provides smooth illumination at the floor plane.
- Available with either white (3000K) or amber (590nm) LED source.
- Optional integrated photocell control ensures that lighting is there when needed while saving energy when it is not.

## INSTALLATION

- NiteWay can be mounted to a standard single-gang electrical box.
- With no wires attached to the faceplate, installation is simple and quick.
- Rated for Wet Location and 120-277V applications.
- Optional tamper-resistant hardware provided.

## OPERATION

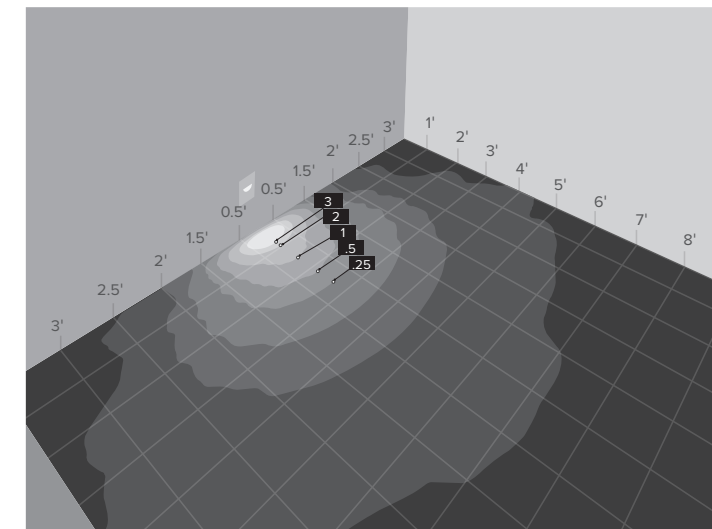
- Suitable for 120-277V applications.
- Consumes < 2 watts of power.

## MAINTENANCE

- Smooth faceplate and flush lens simplifies cleaning.
- Die cast aluminum faceplate and polycarbonate lens provide years of durable service.

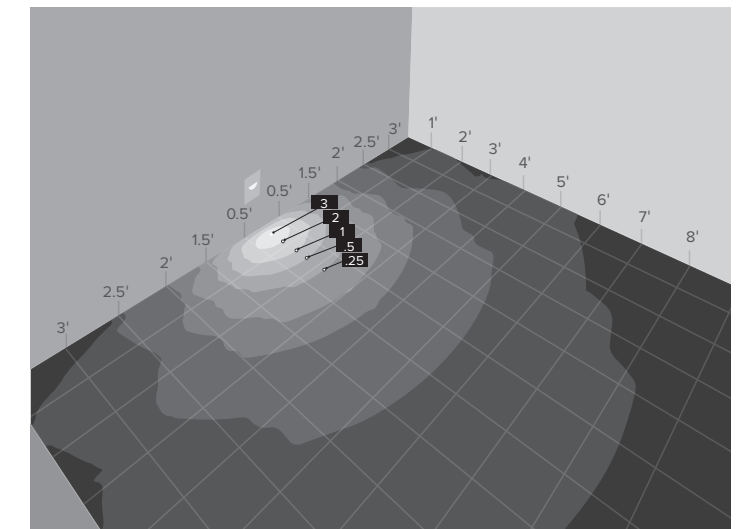
## APPLICATION STUDIES

### WHITE LED



NITEWAY WITH WHITE LED CENTERED 16" ABOVE FINISHED FLOOR

### AMBER



NITEWAY WITH AMBER LED CENTERED 16" ABOVE FINISHED FLOOR

## PHOTOMETRY

### TEST #17.02151 TEST DATE 8/9/17

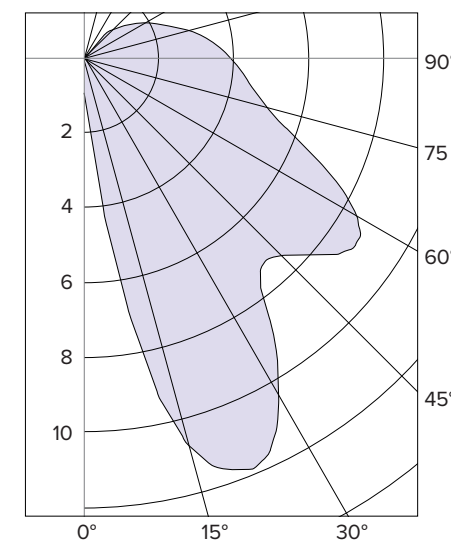
#### NW-H-1-WH

Report No.	1.02151
Lamp	2 - Nichia 3000K LEDs
Source CCT	3000K
Fixture Lumens	18.3
Watts	1.9 W
Efficacy	9.6 Lm/W

#### ZONAL LUMEN SUMMARY

Zone	Lumens	% Fixt.
0-30	3.0	16.5
0-40	5.3	29.0
0-60	9.8	53.8
0-90	15.3	83.6
90-120	2.4	13.3
90-130	2.8	15.2
90-150	3.0	16.4
90-180	3.0	16.4
0-180	18.3	100.0

#### INDOOR CANDELA PLOT



### TEST #17.02127 TEST DATE 8/2/17

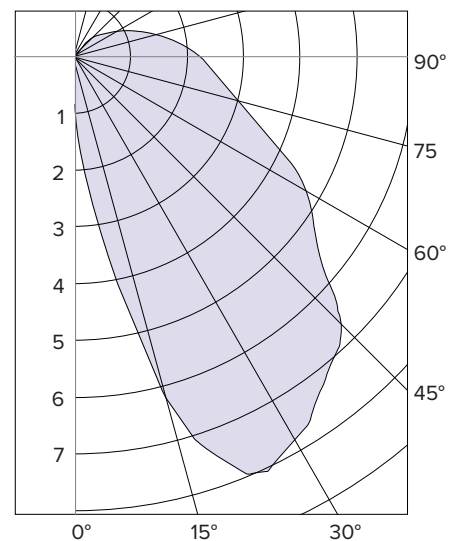
#### NW-H-2-WH

Report No.	1.02127
Lamp	2 - Lumileds 590K LEDs
Source CCT	Amber (590 nm)
Fixture Lumens	11.9
Watts	1.8 W
Efficacy	6.6 Lm/W

#### ZONAL LUMEN SUMMARY

Zone	Lumens	% Fixt.
0-30	1.90	15.9
0-40	3.60	30.2
0-60	7.21	60.4
0-90	10.48	87.8
90-120	1.23	10.3
90-130	1.41	11.8
90-150	1.46	12.2
90-180	1.46	12.2
0-180	11.93	100.0

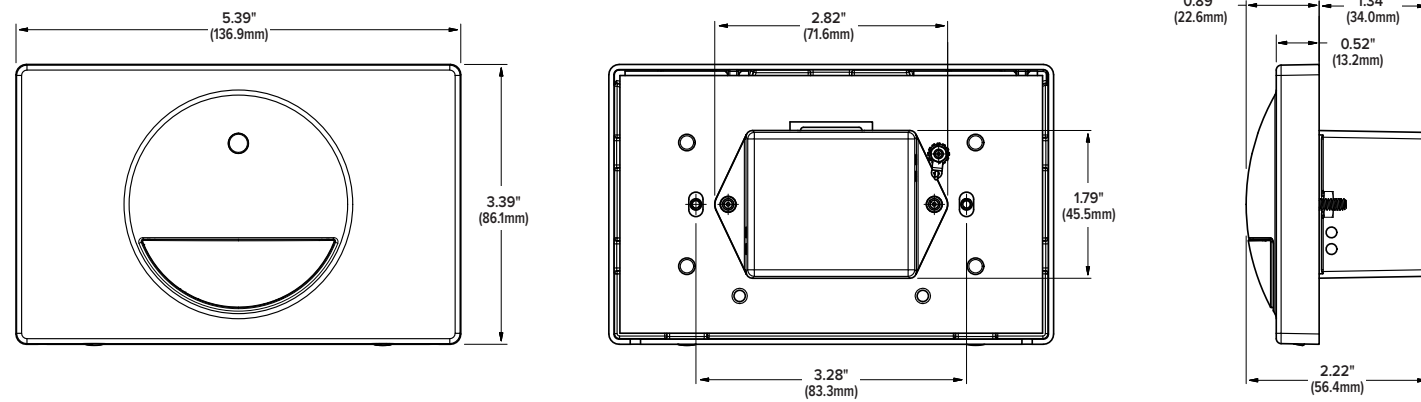
#### INDOOR CANDELA PLOT



## DIMENSIONS

### NWH

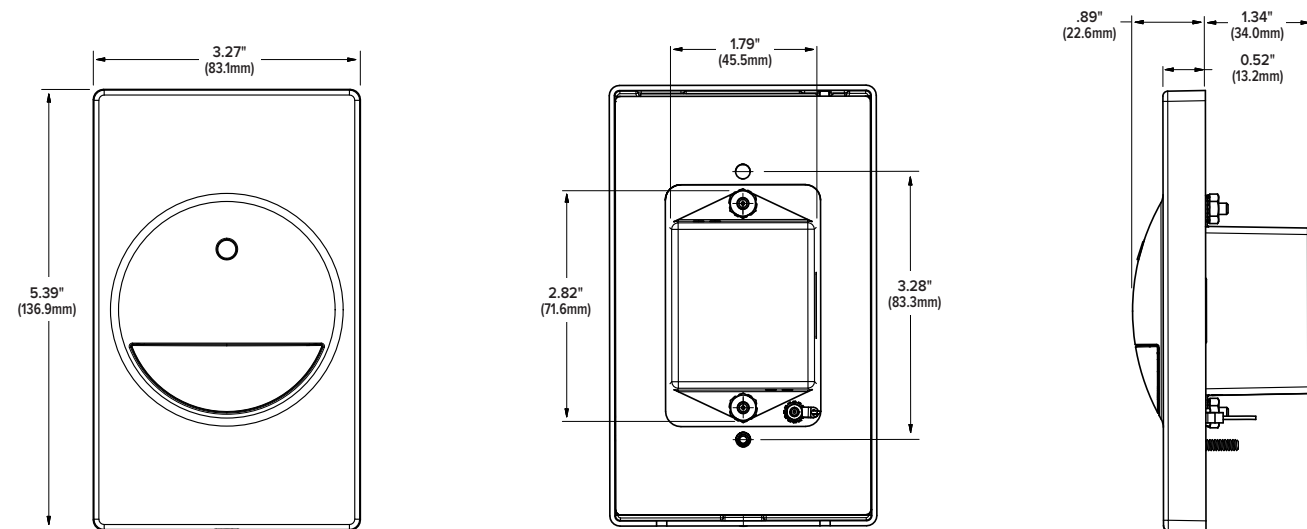
NiteWay Horizontal Night Light



Optional photocell control shown in drawing.

### NVH

NiteWay Vertical Night Light



Optional photocell control shown in drawing.

## COORDINATED SOLUTIONS

NiteWay's appearance, finishes and performance compliments other Healthcare Solutions luminaires to provide a unified patient room solution.

### MEDIMODE™

- Architectural appearance suited for today's room designs.
- Provides the ambient, reading and examination functions for the patient bed environment.
- Meets the recommended guidelines for illumination and uniformity.
- Integrated low voltage controller interfaces with standard pillow switches for patient control.
- Optional full-lensed door qualifies for IP65 and UL Sanitation ratings.



### REMEDE™



- A unique bed light solution in every way.
- Remedi can provide ambient, reading and examination functions without the need to physically rotate any portion of the luminaire.
- Meets the recommended guidelines for illumination and uniformity.
- Full-length, indirect night solution.
- Variety of switching options to fit the facility requirements.

### EVEXIA™

- Evexia combines appearance, performance and durability to meet the requirements for patient rooms and examination spaces.
- Uniform illuminated lens appearance.
- As with all Healthcare Solutions luminaires, Evexia has a standard antimicrobial finish to inhibit the growth of microbes.
- The 3-step process shortens initial installation as well as simplifying servicing.



## ORDERING GUIDE

EXAMPLE: NW-H-1-WH-PC

MODEL	ORIENTATION	COLOR TEMP	FINISH	OPTIONS
<b>NW</b> NiteWay Night Light	<b>H</b> Horizontal <b>V</b> Vertical	<b>1</b> White (3000K) <b>2</b> Amber (590nm)	<b>WH</b> White <b>BLK</b> Black <b>AL</b> Aluminum <b>CC<sup>1</sup></b> Custom Color	<b>PC<sup>2</sup></b> Photocell Control

<sup>1</sup> Customer to provide RAL number or color chip to match. Additional set-up charges will be applied to the order.

<sup>2</sup> The photocell is factory set to switch Off at 10 fc (± 2.5 fc) of ambient light and switch On when the light level is below 5 fc (± 2.5 fc). The sensitivity of the photocell is not field adjustable, and performance can vary depending on room finishes, mounting location and surrounding objects.



Healthcare  
Solutions

701 Millennium Blvd.  
Greenville, SC 29607  
hubbellighting.com

ALERA LIGHTING

ARCHITECTURAL AREA LIGHTING

BEACON PRODUCTS

COLUMBIA LIGHTING

COMPASS

DUAL-LITE

HEALTHCARE SOLUTIONS

HUBBELL CONTROL SOLUTIONS

HUBBELL INDUSTRIAL LIGHTING

HUBBELL OUTDOOR LIGHTING

KIM LIGHTING

KURT VERSEN

LITECONTROL

PRESCOLITE

WHITEWAY



701 Millennium Blvd. Greenville, SC 29607  
Tel 864.678.1000  
www.hubbellighting.com

HHS0035 Revised: 12/17

Copyright © 2017 Hubbell Lighting, Inc. All rights reserved. Please refer to  
online specifications for most up-to-date content as specifications are subject to change without notice.